

 **Unilamp**

■ Mini TUBE
Catenary

■ Mini PILLAR
Catenary

NEW

CATENARY SERIES

■ SUSPENSION LIGHT

CATENARY

NEW
Release



www.unilamp.co.th/en/p/pillar



www.unilamp.co.th/en/p/tube



Mini PILLAR
Catenary



Mini TUBE
Catenary

Catenary mounting of luminaires is great option for tasteful illumination of outdoor spaces. Flexible arrangement of the luminaire position enables lighting designers to set the light mood to a multitude of use cases.

The innovative lever clamping system utilizes a single common tool for a trouble free easy installation. All commonly used catenary wires with a diameter of 4...8 mm are suitable. Wire slope of up to 20° can be easily compensated.

Catenary mount luminaires are equipped with a single prewired cable of 2000 mm length. Double prewired cable for looping is available upon request.



Specification

- Designed, Manufactured and Tested according to IEC 60598.
- LM6 Die Cast Aluminium, Cast Aluminium and Extruded Aluminium body.
- Stainless steel screws.
- Nano Ceramic surface conversion.
- Double layer coating.
- Safety glass cover.
- Post-cured silicone gasket.
- High quality LED module and driver.
- GFR PA6.6 terminal block.
- Installation must be carried out according to the enclosed product manual.

Available Color

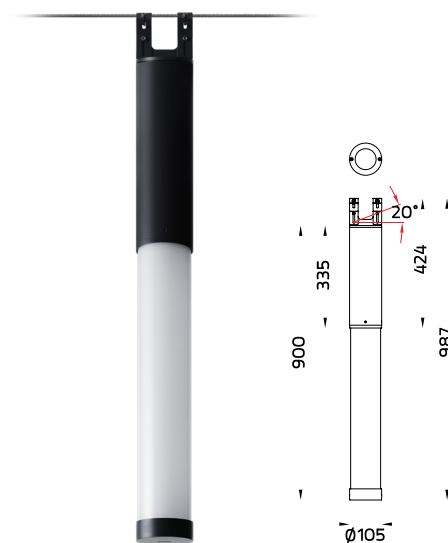
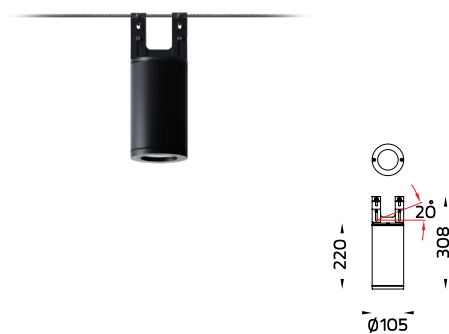
Black	[replace the last 2 digits of ordering code with 01]
Graphite	[replace the last 2 digits of ordering code with 02]
Dark Grey	[replace the last 2 digits of ordering code with 03]
Aluminium Silver	[replace the last 2 digits of ordering code with 04]
White	[replace the last 2 digits of ordering code with 06]
Wooden Brown	[replace the last 2 digits of ordering code with 07]

Mini TUBE Catenary

NEW!

Mini PILLAR Catenary

NEW!



Mini TUBE – Catenary

• SUSPENSION LIGHT

Mini TUBE – Catenary / 1901

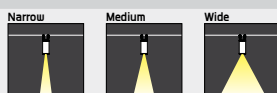
Luminaire Performance

1500 – 1760 lm

15 W

100 – 117 lm/W

Beam Options



Color Temperature

2700K / 3000K / 4000K

Controller

On-Off / 1-10V / DALI / CASAMBI

Mini PILLAR – Catenary

• SUSPENSION LIGHT

Mini PILLAR – Catenary / 1902

Luminaire Performance

810 – 860 lm

14 W

57 – 61 lm/W

Beam Options

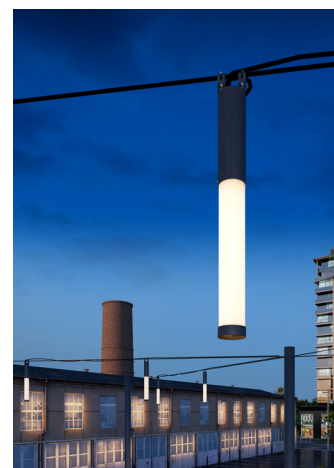


Color Temperature



3000K / 4000K

Controller

On-Off / DALI



CATENARY

	Product Code	Product Name	Luminaire Wattage	Beam	CCT	Luminaire Lumen	Controller
TUBE	OD-1901 	Mini TUBE - Catenary	15 W	13°	2700 K 3000 K 4000 K	1590 lm 1680 lm 1760 lm	On-Off / 1-10V / DALI / CASAMBI
			15 W	26°	2700 K 3000 K 4000 K	1540 lm 1620 lm 1700 lm	On-Off / 1-10V / DALI / CASAMBI
			15 W	48°	2700 K 3000 K 4000 K	1500 lm 1580 lm 1660 lm	On-Off / 1-10V / DALI / CASAMBI
PILLAR	OD-1902 	Mini PILLAR - Catenary	14 W	N/A	3000 K 4000 K	810 lm 860 lm	On-Off / DALI



∴ Ideal Application



Unilamp Co., Ltd.

461 Ramintra Road, Kannayao, Bangkok 10230 Thailand

Tel : +66(0)2 943 2420-1, +66(0)2 946 4170-1

Fax : +66(0)2 943 2419

unilamp@unilamp.co.th | online@unilamp.co.th



www.unilamp.co.th