

Light is easy to optimize

PrevaLED[®] COIN 50 and 111 COB G1

The quick way to install excellent LED lighting: Replace conventional lighting systems with MR16 and AR111 form factors with state-of-the-art LED modules – now also with DIM to Warm.

Light is OSRAM

OSRAM

Attractive presentation for a strong performance

The application spectrum of PrevaLED® COIN 50 and 111 COB G1 ranges from appealing product presentations in shops and department stores to brilliant spot lighting, e.g. for use in offices, theaters, hotels, bars and restaurants.

Popular product family

PrevaLED® COIN COB G1 LED modules are very popular among both electricians and luminaire manufacturers for a number of good reasons: They are convenient and quick to install, easy to operate thanks to OSRAM LED drivers and stand out due to their long lifetime and high light output. All this combined with excellent quality of light and efficiency.

Optimized dimming and DALI connection

In combination with the OSRAM OTi DALI LED drivers, the module enables flicker-free dimming down to 1 % and even below. This makes the PrevaLED® COIN 50 and 111 COB G1 LED modules easy to integrate into a professional light management system.



EXTENSIVE
guarantee

PERFECT
DALI dimming

COIN 



EXCELLENT
light quality

Warm white light to feel good in: DIM to Warm

For many people, a comfortable atmosphere is closely associated with subdued and warm light. With DIM to Warm, warm white LED light is not only dimmed in its brightness but also the light color becomes warmer and more pleasant. In restaurants, bars or in the lounge of hotels, you can thus offer your guests a special treat, providing a relaxed ambience just like by candlelight.



PROFESSIONAL
light management with
OTi DALI LED drivers

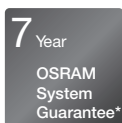
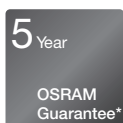
PLEASANT
light with
DIM to Warm

Classic form factors in professional LED lighting

Easy installation, optimal dimming and an extensive guarantee of up to 7 years: The PrevaLED® COIN 50 and 111 COB G1 LED modules with integrated optics and heat sink definitely have much to offer. Thanks to their classic form factors, you can also replace conventional MR16 and AR111 luminaires or LED retrofits in a fast and easy way.

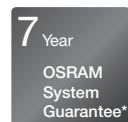
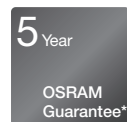
Benefits for the end user:

- High lumen packages, also for applications with higher ceilings
- Different beam angles for a wide variety of applications
- Quality of light with optimal color rendering and consistency (< 3 SDCM)
- Perfect match with OPTOTRONIC® LED driver portfolio including phase-cut LED drivers for easy retrofitting of halogen installations
- Product guarantee of 5 years and system guarantee of 7 years with OTi DALI and OT FIT LED drivers (* for conditions and details, go to www.osram.com/system-guarantee)





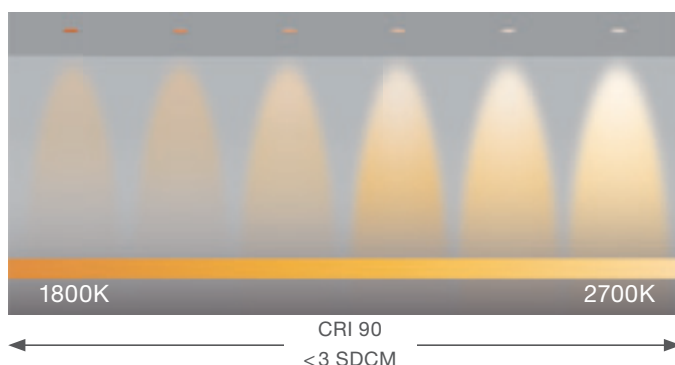
Feel-good atmosphere with DIM to Warm



The range of LED modules is further extended by the DIM to Warm versions. The extra-warm color temperatures at low dimming levels provide a particularly pleasant warm white light, which can now be used to make the ambience in hotels, bars and restaurants even more comfortable at a high lighting quality.

Benefits of DIM to Warm:

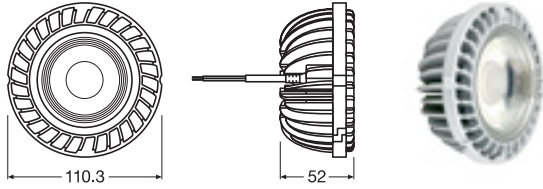
- Gentle, stepless dimming (from 2,700 K to 1,800 K)
- Very good color rendering values across the complete dimming range
- Perfect system operation with OPTOTRONIC® LED drivers for amplitude dimming: OTe Phase-cut and OTi DALI
- Easy upgrade of existing installations
- Product guarantee of 5 years and system guarantee of 7 years with OTi DALI and OT FIT LED drivers (* for conditions and details, go to www.osram.com/system-guarantee)



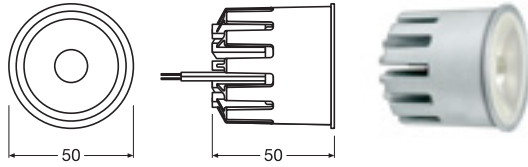
The DIM to Warm function controls the color temperature in the lower dimming range, from a warm white 2,700 K to a very warm white 1,800 K. The color rendering is very good across the entire color temperature range so that a very pleasant room atmosphere is always created with stepless dimming. The system is perfectly matched to the LED drivers OTe Phase-cut and OTi DALI for amplitude dimming.

Technical data

PL-CN111-COB



PL-CN50-COB




All figures in mm

Product reference	GTIN (EAN)	Nominal current [A]	Nominal voltage [V]	Luminous flux [lm]	Typ. efficacy [lm/W]	Luminous intensity [cd]	Nominal wattage [W]	Light color
PL-CN111-COB D2W								
PL-CN111-COB-2000-D2W-24D-G1	4052899605800	0.70	36.5	2040	76	10500	26.90	DIM to Warm
PL-CN111-COB-2000-D2W-40D-G1	4052899605824	0.70	36.5	2040	76	4200	26.90	DIM to Warm
PL-CN50-COB D2W								
PL-CN50-COB-900-D2W-24D-G1	4052899605763	0.35	36.5	950	77	4000	12.40	DIM to Warm
PL-CN50-COB-900-D2W-40D-G1	4052899605787	0.35	36.5	950	77	1900	12.40	DIM to Warm
PL-CN111-COB								
PL-CN111-COB-1800-927-15D-G1	4052899583665	0.5	35.9	1730	97	17000	18.0	Warm White
PL-CN111-COB-1800-927-24D-G1	4052899583689	0.5	36.0	1770	99	9800	18.0	Warm White
PL-CN111-COB-1800-927-40D-G1	4052899583702	0.5	36.0	1700	95	3900	18.0	Warm White
PL-CN111-COB-1800-930-15D-G1	4052899541399	0.5	35.6	1840	103	17210	18.0	Warm White
PL-CN111-COB-1800-930-24D-G1	4052899541412	0.5	36.0	1880	105	9824	18.0	Warm White
PL-CN111-COB-1800-930-40D-G1	4052899541436	0.5	36.0	1800	100	4120	18.0	Warm White
PL-CN111-COB-1800-940-15D-G1	4052899541450	0.5	36.0	1940	108	18146	18.0	Neutral White
PL-CN111-COB-1800-940-24D-G1	4052899541474	0.5	36.0	1990	111	10426	18.0	Neutral White
PL-CN111-COB-1800-940-40D-G1	4052899541498	0.5	36.0	1910	106	4370	18.0	Neutral White
PL-CN111-COB-2800-830-24D-G1	4052899541511	0.7	37.0	2760	107	14460	25.9	Warm White
PL-CN111-COB-2800-830-40D-G1	4052899541535	0.7	37.0	2650	102	6036	25.9	Warm White
PL-CN111-COB-2800-830-15D-G1	4052899541559	0.7	37.0	2700	104	25271	25.9	Warm White
PL-CN111-COB-2800-840-24D-G1	4052899541573	0.7	37.0	2900	112	15193	25.9	Neutral White
PL-CN111-COB-2800-840-40D-G1	4052899541597	0.7	37.0	2780	107	6362	25.9	Neutral White
PL-CN111-COB-2800-840-15D-G1	4052899541610	0.7	37.0	2830	109	26470	25.9	Neutral White
PL-CN111-COB-4300-830-24D-G1*	4052899541634	1.05	35.8	4550	121	16826	37.6	Warm White
PL-CN111-COB-4300-830-40D-G1*	4052899541658	1.05	35.8	4340	115	8370	37.6	Warm White
PL-CN111-COB-4300-830-60D-G1	4052899541672	1.05	35.8	4240	112	3802	37.6	Warm White
PL-CN111-COB-4300-840-24D-G1*	4052899541696	1.05	35.8	4780	127	17818	37.6	Neutral White
PL-CN111-COB-4300-840-40D-G1*	4052899541719	1.05	35.8	4560	121	8804	37.6	Neutral White
PL-CN111-COB-4300-840-60D-G1	4052899541733	1.05	35.8	4450	118	4000	37.6	Neutral White
PL-CN50-COB								
PL-CN50-COB-900-927-15D-G1	4052899583603	0.35	35.2	980	80	6700	12.30	Warm White
PL-CN50-COB-900-927-24D-G1	4052899583627	0.35	35.2	960	78	3900	12.30	Warm White
PL-CN50-COB-900-927-40D-G1	4052899583641	0.35	35.2	920	75	1800	12.30	Warm White
PL-CN50-COB-900-930-15D-G1	4052899541153	0.35	35.2	1040	85	7495	12.30	Warm White
PL-CN50-COB-900-930-24D-G1	4052899541191	0.35	35.2	1020	82	4287	12.30	Warm White
PL-CN50-COB-900-930-40D-G1*	4052899541757	0.35	35.2	980	79	1965	12.30	Warm White
PL-CN50-COB-900-940-15D-G1	4052899541795	0.35	35.2	1120	91	8036	12.30	Neutral White
PL-CN50-COB-900-940-24D-G1	4052899541771	0.35	35.2	1090	88	4587	12.30	Neutral White
PL-CN50-COB-900-940-40D-G1*	4052899541818	0.35	35.2	1050	84	2100	12.30	Neutral White
PL-CN50-COB-1400-830-24D-G1	4052899541870	0.35	36.9	1430	111	4848	12.90	Warm White
PL-CN50-COB-1400-830-40D-G1	4052899541894	0.35	36.9	1360	105	2615	12.90	Warm White
PL-CN50-COB-1400-840-24D-G1	4052899541917	0.35	36.9	1510	117	5130	12.90	Neutral White
PL-CN50-COB-1400-840-40D-G1	4052899541931	0.35	36.9	1430	111	2793	12.90	Neutral White


* Also available as KIT version: bundle with on/off or DALI LED driver and mounting ring. for more information, visit www.osram.com/prevald

Suitable LED drivers

LED drivers, dimmable		DALI – SELV	LT2 NFC	Phase-cut (PC) – SELV			
		OTi DALI 10/220...240/700 NFC* 4052899562639	OTi DALI 15/220...240/1A0 LT2 NFC 4052899548190 OTi DALI 25/220...240/700 LT2 NFC 4052899548213	OTi DALI 35/220...240/1A0 LT2 NFC 4052899548237	OTi DALI 50/220...240/1A4 LT2F NFC 4052899548251	OTe 13/220...240/350 PC 4052899105324 OTe 18/220...240/350 PC 4052899105348	OTe 35/220...240/700 PC 4008321825520
LED module	Nominal current [mA]	Luminous flux [lm] depends on set current [mA]			350	350	700
PL-CN111-COB-1800-xxx	500		•	•	•		
PL-CN111-COB-2800-xxx	700				•	•	•
PL-CN111-COB-4300-xxx	1050					•	
PL-CN50-COB-900-xxx	350	•	•	•		•	
PL-CN50-COB-1400-xxx	350	•	•	•		•	
PL-CN111-COB D2W	700						•
PL-CN50-COB D2W	350		•			•	•

* Released for up to 250 mA

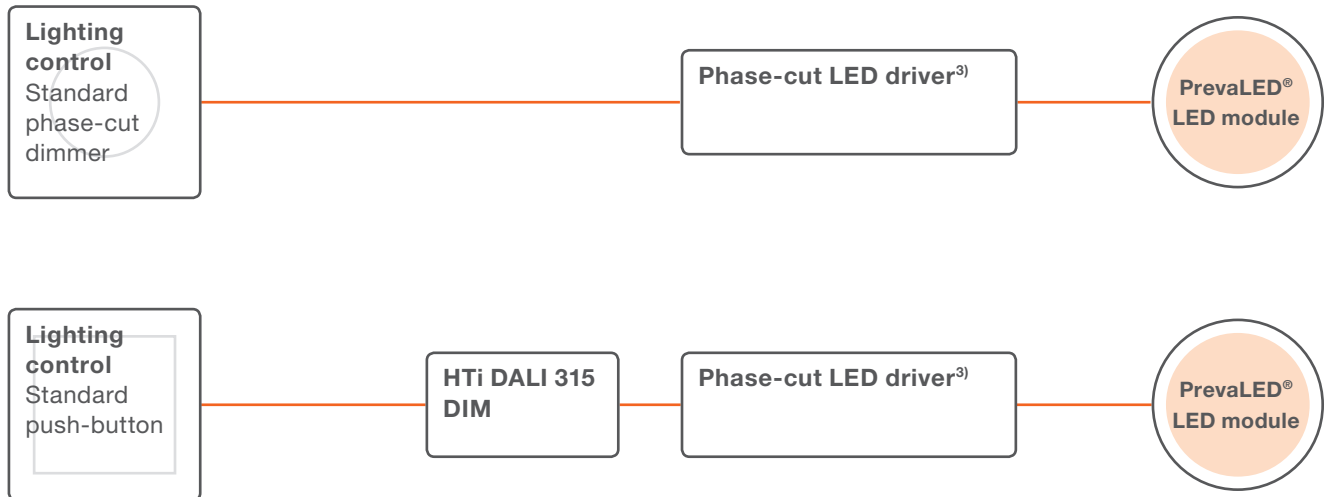


LED drivers, non-dimmable		OT FIT LT2 – SELV & LP	OT FIT CS G2 – SELV (DIP switch)	ELEMENT – SELV					
		OT FIT 15/220...240/500 LT2 LP 4052899490673 OT FIT 15/220...240/500 LT2 S 4052899956995 OT FIT 25/220...240/700 LP 4052899490697 OT FIT 25/220...240/700 LT2 S 4052899957008 OT FIT 40/220...240/1A0 LP 4052899490734 OT FIT 40/220...240/1A0 LT2 S 4052899957015	OT FIT 20/220...240/500 CS G2 4052899435612 OT FIT 30/220...240/700 CS G2 4052899435636 OT FIT 40/220...240/1A0 CS G2 4052899435650	ELEMENT 15/220...240/350 S 4052899552906 ELEMENT 20/220...240/500 S 4052899552920 ELEMENT 30/220...240/700 S 4052899552999 ELEMENT 44/220...240/1050 S 4052899553057	350	500	700	1050	
LED module	Nominal current [mA]	Luminous flux [lm] depends on set current [mA]				350	500	700	1050
PL-CN111-COB-1800-xxx	500	•	•	•	•	•	•	•	
PL-CN111-COB-2800-xxx	700	•	•	•	•	•	•	•	
PL-CN111-COB-4300-xxx	1050			•	•			•	
PL-CN50-COB-900-xxx	350	•	•	•	•	•	•	•	
PL-CN50-COB-1400-xxx	350	•	•	•	•	•	•	•	

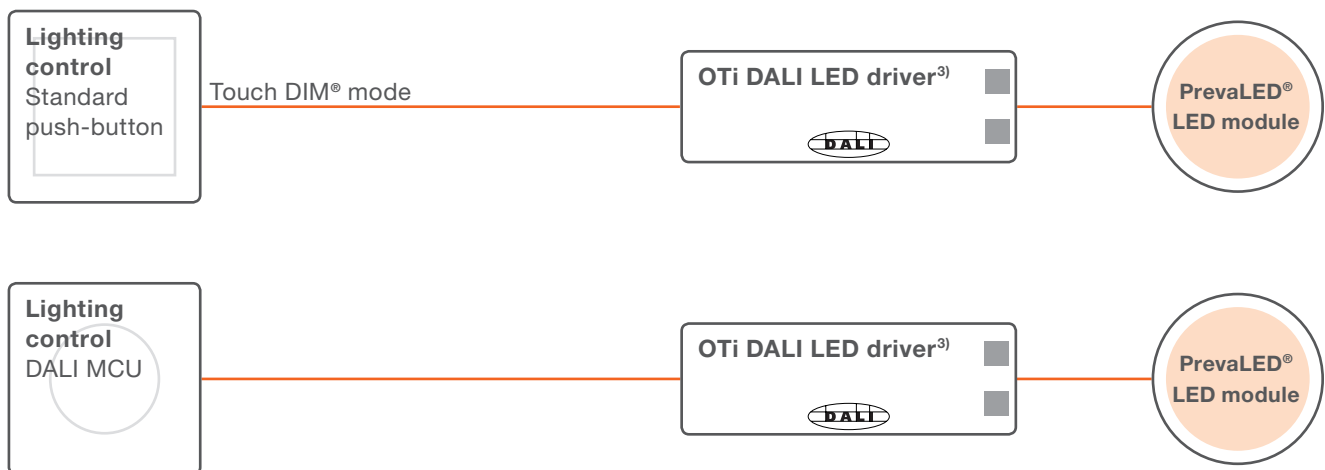
PrevaLED® COIN also with DIM to Warm: Examples of lighting systems



Combination with phase-cut dimmers¹⁾



Combination with DALI control²⁾



¹⁾ The dimming range depends on the dimmer, see [dimmer list](#)

²⁾ 100...1 % flicker-free

³⁾ Amplitude dimming on the secondary side

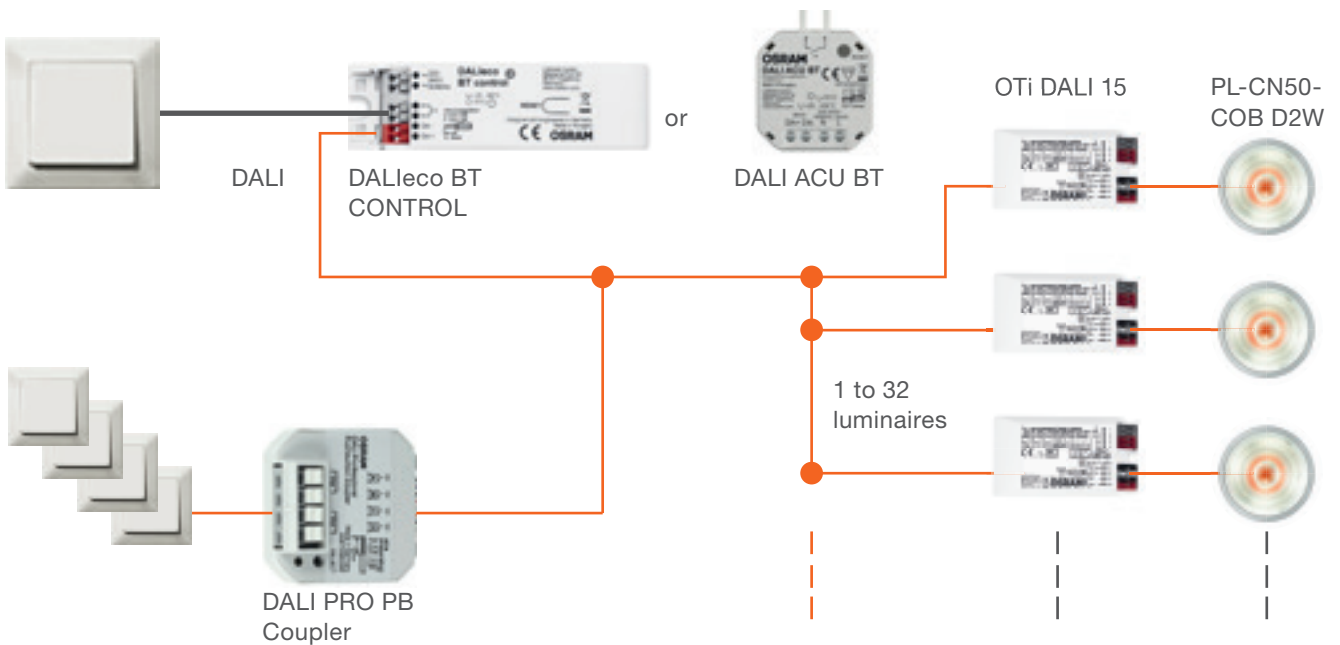


DALI lighting control with Bluetooth: system overview

Android or iOS smartphone



Typical connection range 10–15 m



Example of a compact lighting control system with Bluetooth interface. Many pre-set features, also without commissioning – simply connect and control.

Product reference	GTIN (EAN)	Nominal voltage [V]	Operating frequency [Hz]	Max. load to be connected	Number of control outputs	Sensor range [m]	Ingress protection
DALIleco BT CONTROL	405289988781	230	50/60	32 LED drivers	1	15	IP20
DALI ACU BT	4052899544819	220...240	50/60	32 LED drivers	1	15	IP20
DALI PRO PB Coupler	4008321496461	-	-	-	1	-	IP20
DALI MCU	4008321189721	230	-	25 DALI LED drivers	1	-	IP20
HTi DALI 315 DIM	4008321957344	220...240	50	315 W	-	-	-

OSRAM GmbH
Headquarters Germany
Phone: +49 89 6213-0
E-mail: contact@osram.com

OSRAM a.s Office Austria
Phone: +43 1 250 24
E-mail: info@osram.at

OSRAM Benelux B.V.
Netherlands
Phone: +31 (0) 88 750 8800
E-mail: osram@osram.nl

Belgium
Phone: +32 (0) 2 588 49 51
E-mail: osram@osram.be

OSRAM Sales EOOD Bulgaria
Phone: +359 32 348 110
E-mail: sales-sofia@osram.com

OSRAM d.o.o. Croatia
Phone: +385 1 3032-023
E-mail: osram@osram.hr

OSRAM Ceska republika s.r.o.
Czech Republic
Phone: +42 0 554 793 111
E-mail: osram@osram.cz

OSRAM A/S Denmark
Phone: +45 43 30 20 40

OSRAM Oy Finland
Phone: +358 9 8493 2200
E-mail: asiakaspalvelu@osram.fi

Baltic DS/OSRAM Oy Finland:
Estonia, Latvia and Lithuania
Phone: +358 9 8493 2200
E-mail: customerservice@osram.fi

OSRAM Lighting Middle East FZE
Dubai – United Arab Emirates
Phone: +971 4 523 1777
E-mail: ds-mea@osram.com

OSRAM Lighting SASU France
Phone: +33 3 68 41 89 33
E-mail: oem@osram.fr

OSRAM Limited Great Britain
Phone: +44 1925 273 360
E-mail: oem@osram.com

OSRAM a.s. Magyarország
Fióktelepe Hungary
Phone: +36 1 225 30 55
E-mail: info@osram.hu

OSRAM SpA Società Riunite
OSRAM Edison Clerici Italy
Phone: +39 02 424 91
E-mail: oemcentroservizi@osram.com

OSRAM Lighting AS Norway
Phone: +47 40 00 40 14

OSRAM North Africa S.a.r.l.
E-mail: contact@osram.com

OSRAM (Pty.) Ltd. South Africa
Phone: +27 10 221 40 00

OSRAM Sp. z.o.o. Poland
Phone: +48 22 376 57 00
E-mail: biuro.pl@osram.pl

OSRAM LDA
Portugal, Açores, Madeira
Phone: +351 21 033 22 10
E-mail: osram@osram.pt

OSRAM OOO Russia DS
Phone: +7 (499) 649-7070
E-mail: ds-russia@osram.com

OSRAM Romania S.R.L.
Phone: +40 (21) 232 85 61
E-mail: osram_ro@osram.com

OSRAM, a.s. Slovak Republic
Phone: +421 35 64 64 473
E-mail: contact@osram.com

OSRAM a.s. Slovenia
Phone: +43 1 250 24
E-mail: info@osram.at

OSRAM Lighting S.L. Spain
Phone: +34 91 491 52 17
E-mail: marketing-ds@osram.com

OSRAM AB Sweden
Phone: +46 128 70 400
E-mail: info@osram.se

OSRAM Lighting AG Switzerland
Phone: +41 52 555 25 55
E-mail: info.ch@osram.com

OSRAM Teknolojileri Ticaret A.S.
Turkey
Phone: +90 212 703 43 00
E-mail: contact@osram.com

OSRAM Sales Greece
Phone: +30 21 309 940 36
E-mail: greece@osram.com

OSRAM GmbH

Headquarters Germany:

Marcel-Breuer-Strasse 6
80807 Munich, Germany
Phone +49 89 6213-0
Fax +49 89 6213-2020
www.osram.com

OSRAM