



# SYSTEM S

## OFFICE LIGHTING SYSTEM

Continuous light lines  
High efficiency  
Modularity  
Tool free installation  
Human centric lighting ready

### **BUCK GmbH**

Taunustor 1  
60310 Frankfurt am Main  
office@bucklicht.de  
www.buck.lighting  
tel +49.731.950.32.330

Copyright © 2020 BUCK, edition: 3

**BUCK**  
www.buck.lighting

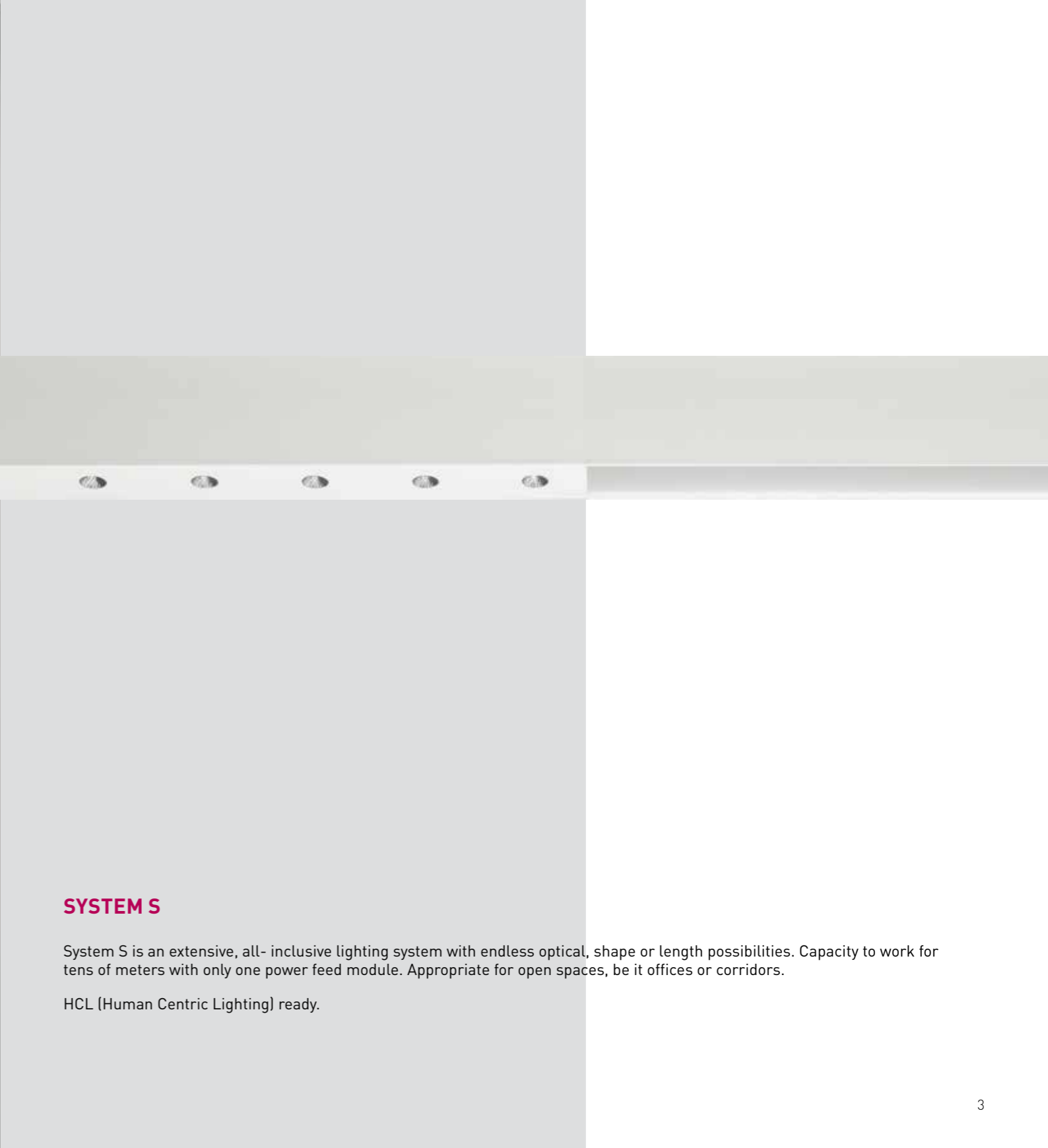
HCL  
READY

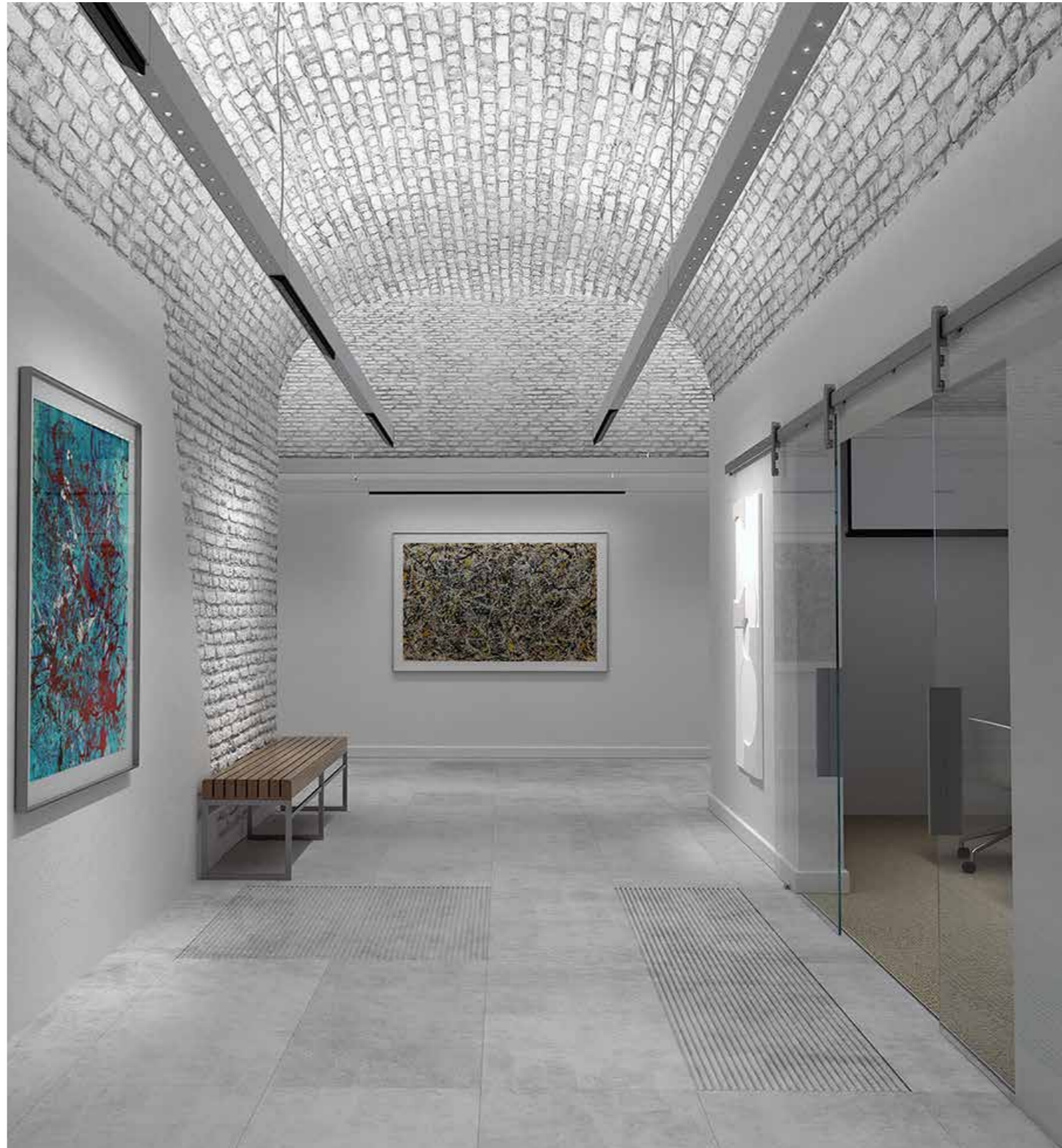
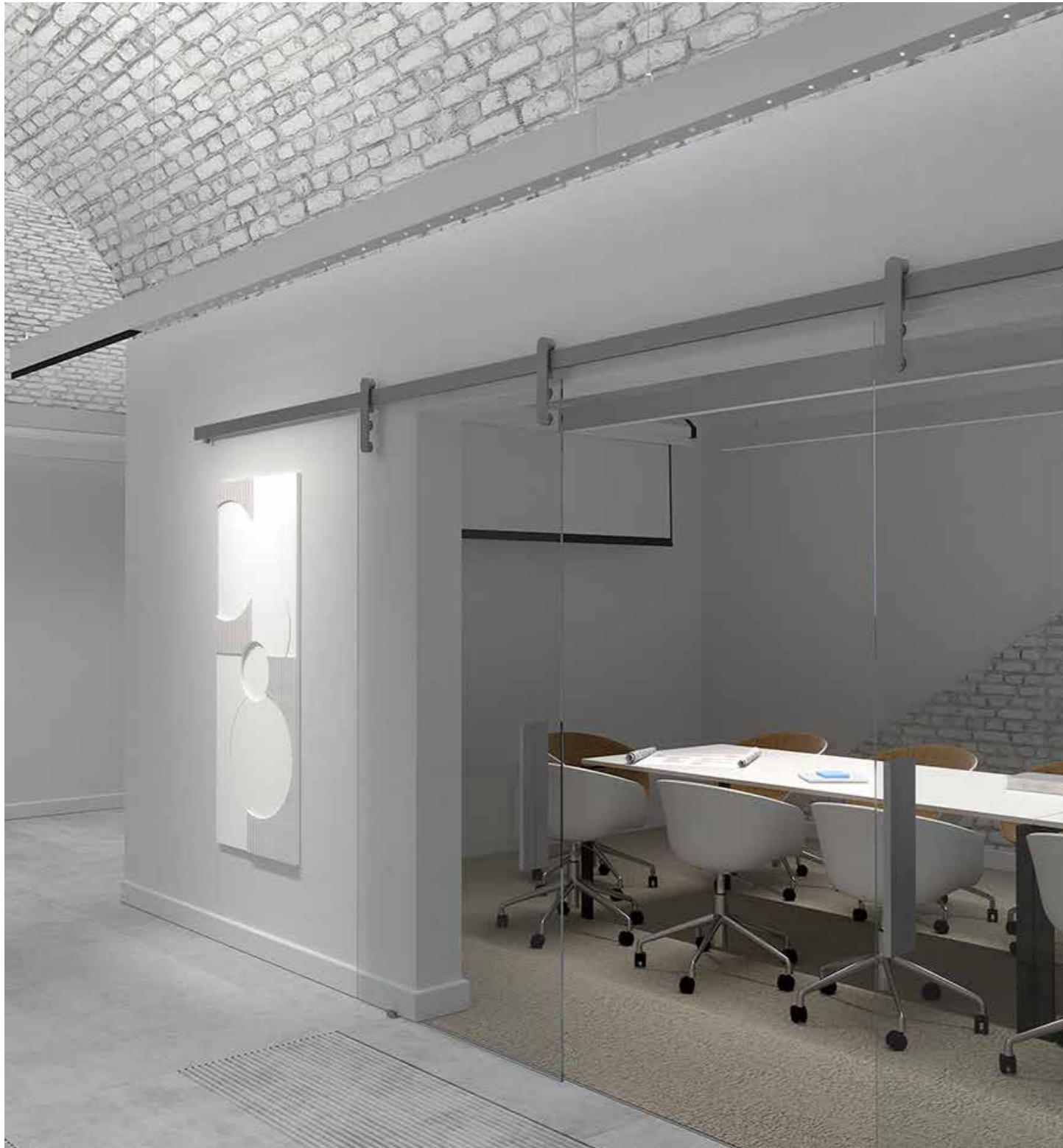


## SYSTEM S

System S is an extensive, all- inclusive lighting system with endless optical, shape or length possibilities. Capacity to work for tens of meters with only one power feed module. Appropriate for open spaces, be it offices or corridors.

HCL (Human Centric Lighting) ready.



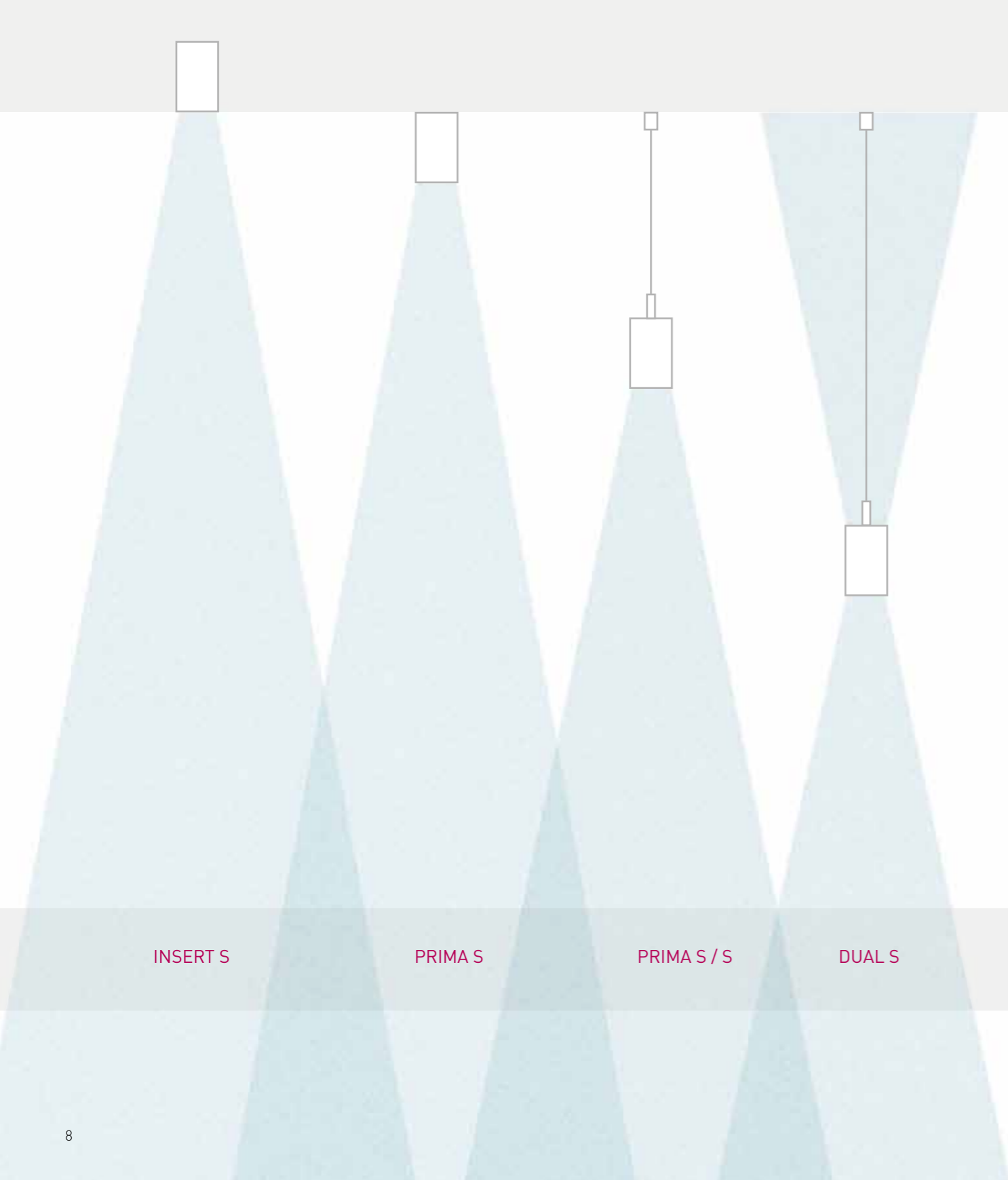






Diverse optics are appropriate for different space types, such as opal diffuser (DO) for corridors, microprismatic diffuser (CDP) for office areas, wall washer (WW) for wall washing of exhibits and vertical surfaces, micro downlight reflector (MD) with choice of different three angles are ideal for office space with very limited glare, as well as double focal lens (LFO) retracted from the ceiling surface, for full visual comfort.





INSERT S

PRIMA S

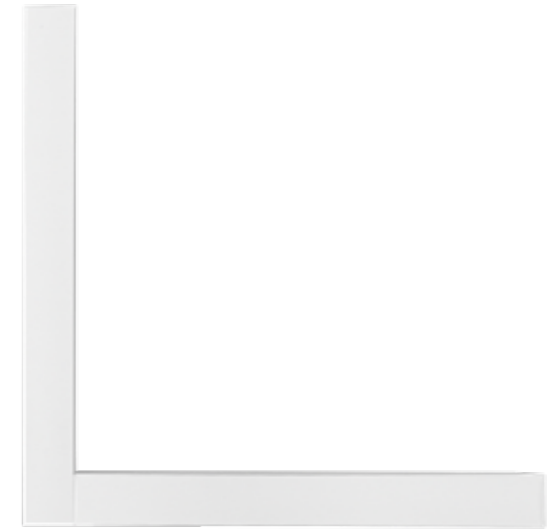
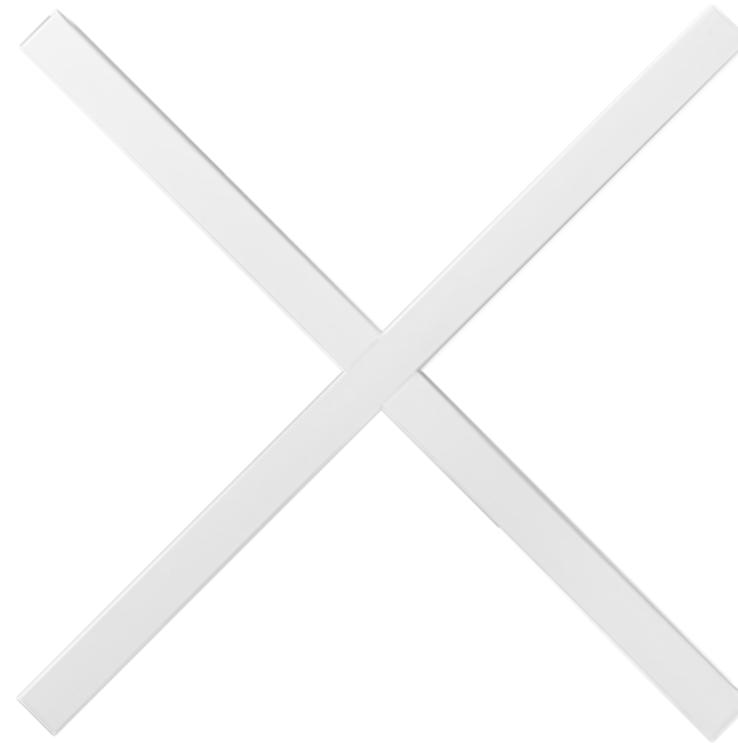
PRIMA S / S

DUAL S

## MOUNTING

This product is a lighting system that fits smoothly into all interior designs, enabling illumination with esthetical consistency throughout the whole building. Different mounting options and a vast choice of different optics allow making separate visual wholes or implementing different lighting scenes within a single space.

INTENDED FOR RECESSED, SURFACE MOUNTED AND SUSPENDED MOUNTING



Infinite lengths of linear system, and appropriate elements (T, X or L joints) enable creation of inexhaustible number of desired shapes and open/ closed contours.



The light line can integrate several lighting scenes, depending on the particular need or use of the space and its parts.

## MODULARITY

Four standard lengths of modules for different optics and blind cover.

Its innovation relies on approach that one system can integrate the lighting of a whole building, but also represents an easy-to-use tool for lighting designers, quick mounting for the installers, simple use and integration into existing building management system for the end-user.



MD



LFO



DO



CDP



WW

2244 mm



1402 mm



1122 mm



842 mm

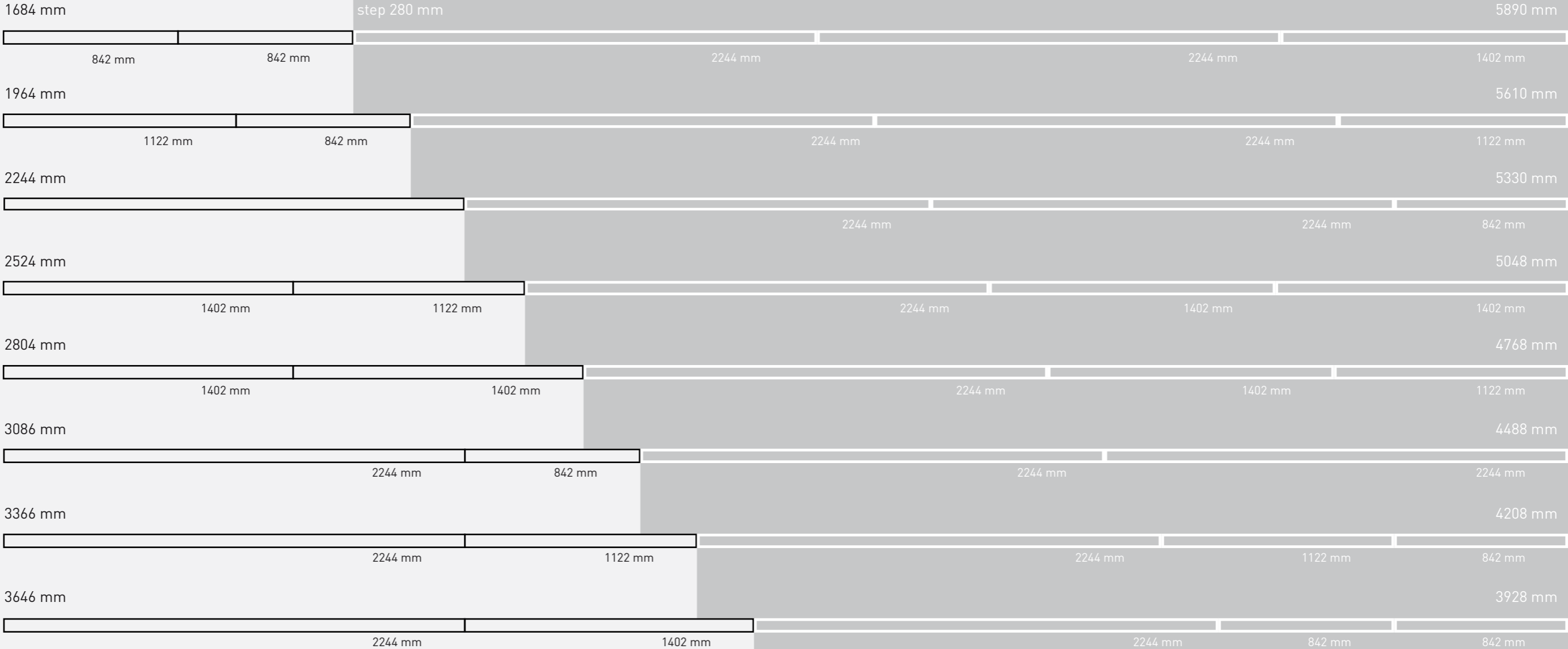


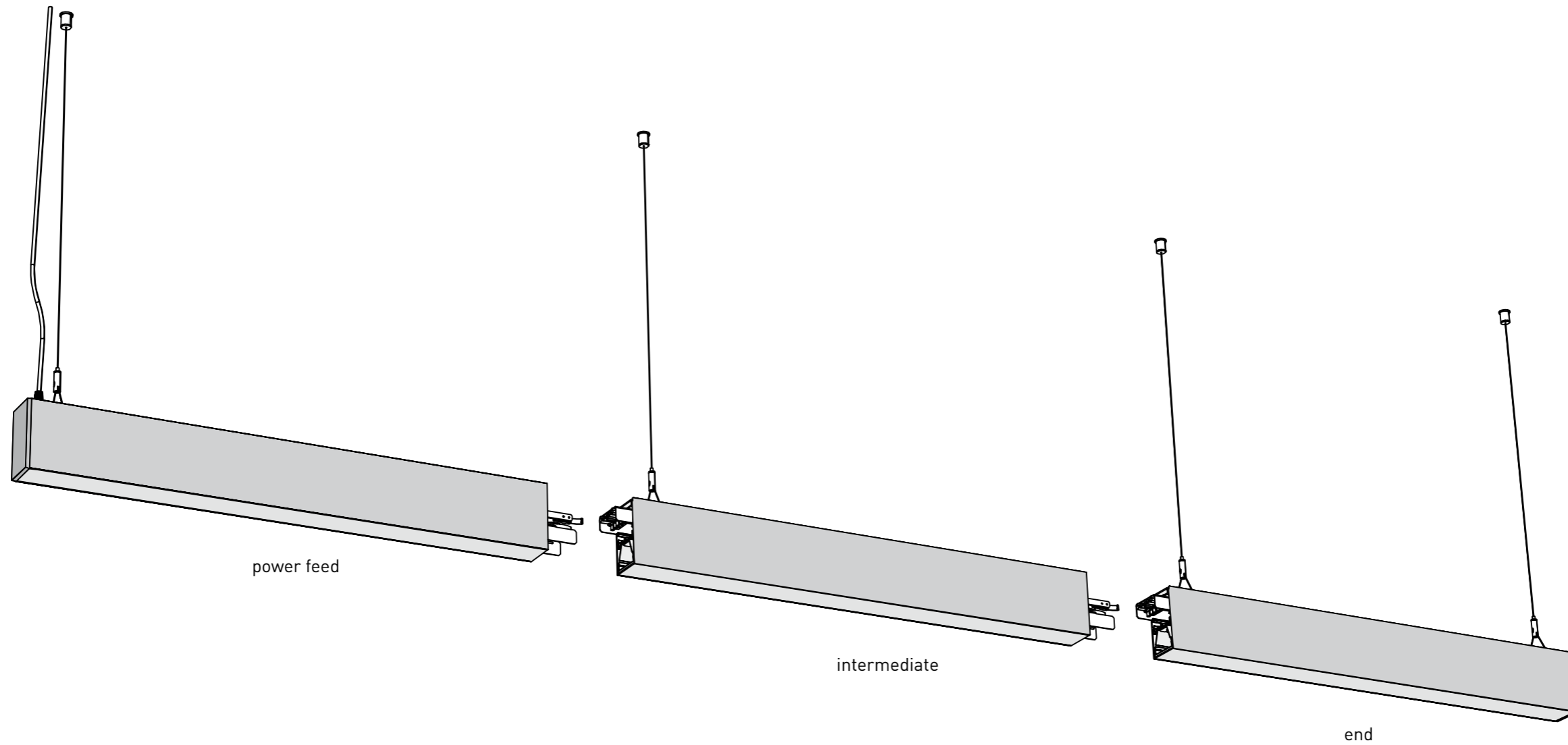
blind cover





Standard lengths of modules, enabling excellent adaptability to desired lengths of the final light line.

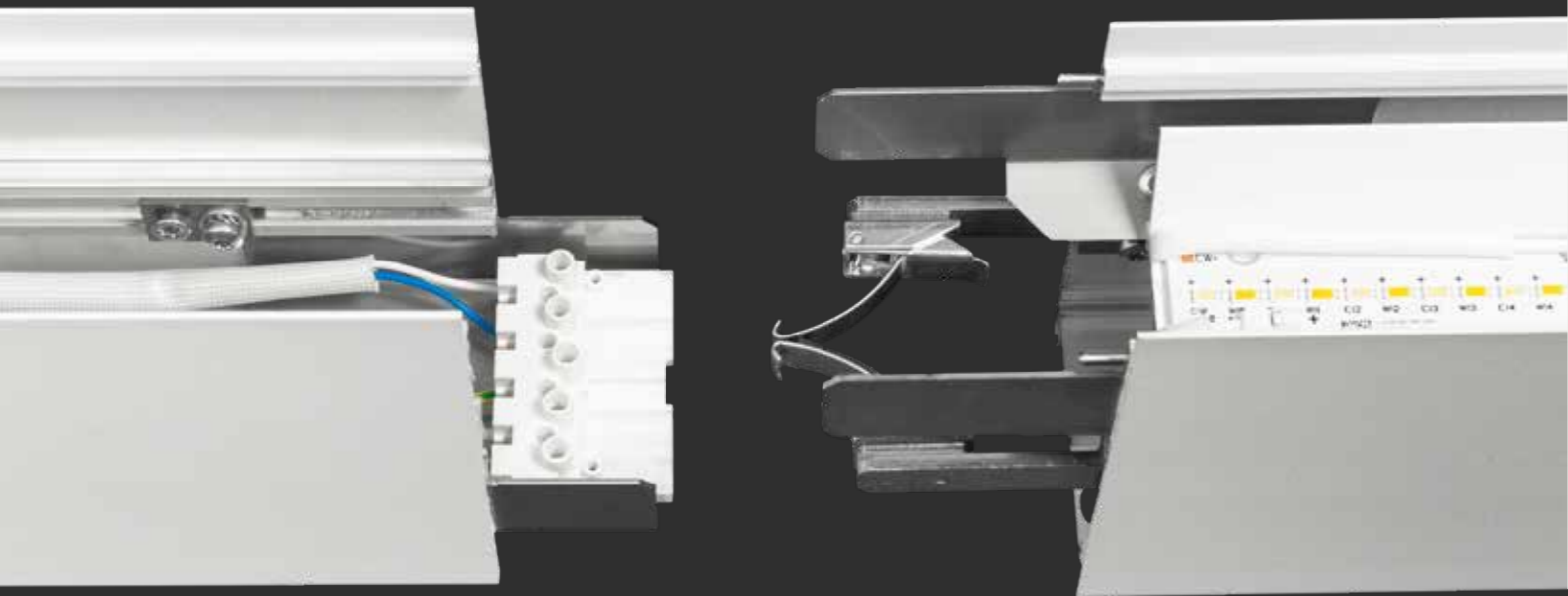




## SYSTEM ASSEMBLING

Easy and precise installation and serviceability of LED modules / drivers

Installers face different challenges in use of manpower, so the system is optimized for tool-free quick mounting, ermitting fast and easy mounting, reducing the costs and time for mounting.



## SYSTEM ASSEMBLING

Tool free module connection



**Suspension mounting kit**



## HOUSING / FINISH

- Luminaire of extruded aluminium
- Anodisation in natural aluminium colour or
- Epoxy polyester powder coating, fine structured texture





up to 150lm/W

#### **ENERGY EFFICIENCY**

- High efficacy linear system
- Up-to-date generation of LED modules
- ZHAGA compatible LED modules

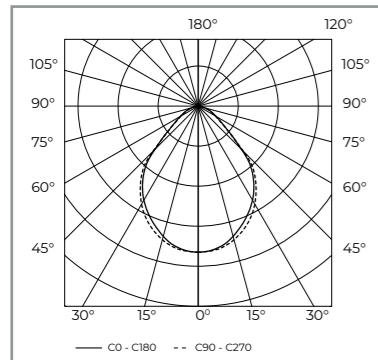


## OPTICS

The minimalistic design was intentionally made linear, versatile and discrete, creating appropriate atmosphere while not distracting from the interior design.



## OPTICS



## CDP

Multilayer optics appropriate for office spaces, with UGR < 19.  
Highly transparent micro prismatic diffuser provides glare limitation and a uniform diffusing light.  
The opal foil provides a uniformly illuminated surface, without visible light sources.



### INSERT S TLS CDP | PRIMA S CDP / S

**Dimensions A/B/H**  
**Luminaire luminous flux [t<sub>a</sub>= 25°]**  
**Total power**  
**Luminaire efficiency**  
**Light colour temperature**  
**CRI**  
**LED service life**  
**Power supply**  
**Control gear**  
**Dynamic White or other color temperatures**

566/60/110, 846/60/110, 1126/60/110, 1406/60/110, 2248/60/110mm  
636-4908lm  
6.0-46W  
107lm/W  
4000K  
>80  
60000h L80B10 / SCDM3  
220 - 240V, 50 - 60Hz  
ECG, DALI  
on request

### DIRECT LIGHT

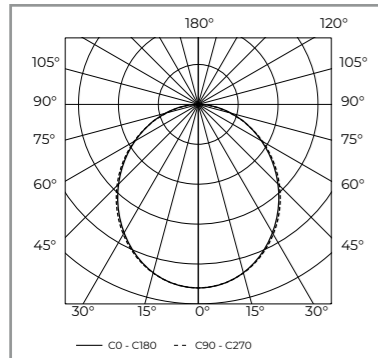
### DUAL S CDP

**Dimensions A/B/H**  
**Luminaire luminous flux [t<sub>a</sub>= 25°]**  
**Total power**  
**Luminaire efficiency**  
**Light colour temperature**  
**CRI**  
**LED service life**  
**Power supply**  
**Control gear**  
**Dynamic White or other color temperatures**

846/60/110, 1126/60/110, 1406/60/110, 2248/60/110mm  
2461-12663lm  
17-91W  
139-145lm/W  
4000K  
>80  
60000h L80B10 / SCDM3  
220 - 240V, 50 - 60Hz  
ECG, DALI  
on request

### DIRECT/ INDIRECT LIGHT

## OPTICS



## D0

Optics with wider light beam, appropriate for communication zones and high frequency spaces. Opal diffuser provides a uniform diffusing light and a uniformly illuminated surface, without visible light sources.



### INSERT S TLS D0 | PRIMA S D0 / S

**Dimensions A/B/H**  
**Luminaire luminous flux [t<sub>a</sub>= 25°]**  
**Total power**  
**Luminaire efficiency**  
**Light colour temperature**  
**CRI**  
**LED service life**  
**Power supply**  
**Control gear**  
**Dynamic White or other color temperatures**

566/60/110, 846/60/110, 1126/60/110, 1406/60/110, 2248/60/110mm  
 735-5669lm  
 6-46W  
 123lm/W  
 4000K  
 >80  
 60000h L80B10 / SCDM3  
 220 - 240V, 50 - 60Hz  
 ECG, DALI  
 on request

### DIRECT LIGHT

### DUAL S D0

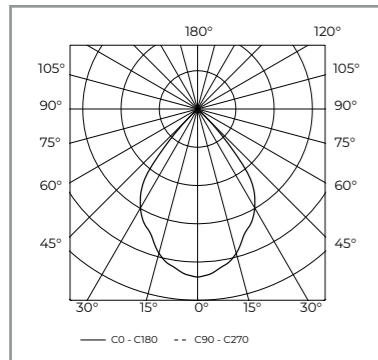
**Dimensions A/B/H**  
**Luminaire luminous flux [t<sub>a</sub>= 25°]**  
**Total power**  
**Luminaire efficiency**  
**Light colour temperature**  
**CRI**  
**LED service life**  
**Power supply**  
**Control gear**  
**Dynamic White or other color temperatures**

846/60/110, 1126/60/110, 1406/60/110, 2248/60/110mm  
 2573-13235lm  
 17-91W  
 145-151lm/W  
 4000K  
 >80  
 60000h L80B10/ SCDM3  
 220- 240V, 50- 60Hz  
 ECG, DALI  
 on request

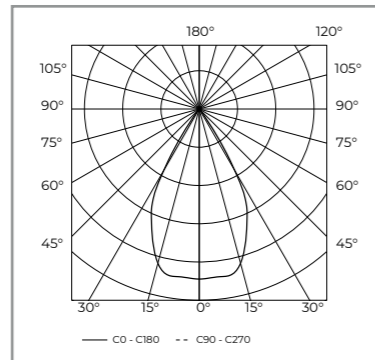
### DIRECT/ INDIRECT LIGHT



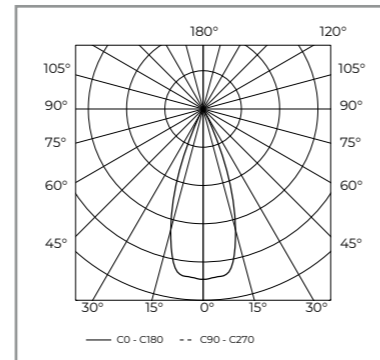
## OPTICS



MD 75



MD 55



MD 35

## MD

Micro downlight for direct illumination of high energy efficiency. Linear downlight reflectors with complex-surface geometry of micro-facets allow precise shaping of light beam. Angles of direct light beam and reflected light are almost perfectly aligned, providing sharp cut off for full visual comfort.



### INSERT S TLS MD | PRIMA S MD

**Dimensions A/B/H**  
**Luminaire luminous flux [t<sub>s</sub>= 25°]**  
**Total power**  
**Luminaire efficiency ( 4000K )**  
**Light colour temperature**  
**CRI**  
**Light beam**  
**LED service life**  
**Power supply**  
**Control gear**  
**Dynamic White or other color temperatures**

846/60/110, 1126/60/110, 1406/60/110, 2248/60/110mm  
 1949- 5778lm  
 18-49W  
 108-118lm/W  
 4000K  
 >80  
 35° / 55° / 75°  
 50000h L80B10/ SCDM3  
 220 - 240V, 50 - 60Hz  
 ECG, DALI  
 on request

### DIRECT LIGHT

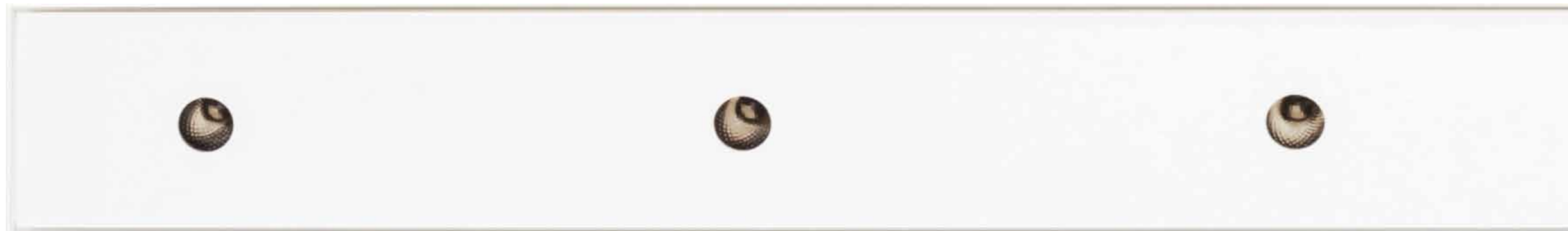
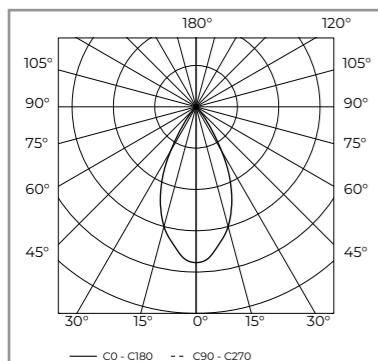
### DUAL S MD

**Dimensions A/B/H**  
**Luminaire luminous flux [t<sub>s</sub>= 25°]**  
**Total power**  
**Luminaire efficiency ( 4000K )**  
**Light colour temperature**  
**CRI**  
**Light beam**  
**LED service life**  
**Power supply**  
**Control gear**  
**Dynamic White or other color temperatures**

846/60/110, 1126/60/110, 1406/60/110, 2248/60/110mm  
 4787-13345lm  
 36-94W  
 133-142lm/W  
 4000K  
 >80  
 35° / 55° / 75°  
 50000h L80B10/ SCDM3  
 220 - 240V, 50 - 60Hz  
 ECG, DALI  
 on request

### DIRECT/ INDIRECT LIGHT

## OPTICS



## LFO

Optics for direct light component in order to gain optimal light uniformity and aesthetic consistency of the interior with UGR < 13.

Lens made of PMMA, retracted from the bottom surface of the luminaire, emitting light through perforation on the surface. Retraction from the perforation enables invisibility of the light source, providing full visual comfort.

### INSERT S TLS LFO | PRIMA S LFO / S

**Dimensions A/B/H**  
**Luminaire luminous flux [t<sub>a</sub>= 25°]**  
**Total power**  
**Luminaire efficiency ( 4000K )**  
**Light colour temperature**  
**CRI**  
**LED service life**  
**Power supply**  
**Control gear**  
**Dynamic White or other color temperatures**

846/60/110, 1126/60/110, 1406/60/110, 2248/60/110mm  
 1542-4111lm  
 22-57W  
 70-72lm/W  
 4000K  
 >80  
 50000h L80B10 / SCDM3  
 220 - 240V, 50 - 60Hz  
 ECG, DALI  
 on request

### DIRECT LIGHT

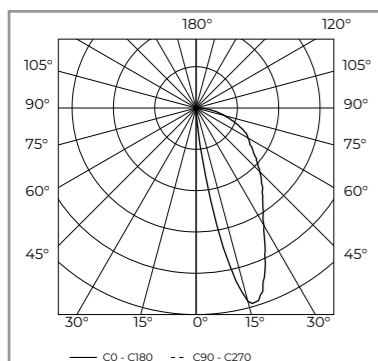
### DUAL S LFO

**Dimensions A/B/H**  
**Luminaire luminous flux [t<sub>a</sub>= 25°]**  
**Total power**  
**Luminaire efficiency ( 4000K )**  
**Light colour temperature**  
**CRI**  
**LED service life**  
**Power supply**  
**Control gear**  
**Dynamic White or other color temperatures**

846/60/110, 1126/60/110, 1406/60/110, 2248/60/110mm  
 4379-11678lm  
 39-103W  
 113lm/W  
 4000K  
 >80  
 60000h L80B10 / SCDM3  
 220 - 240V, 50 - 60Hz  
 ECG, DALI  
 on request

### DIRECT/ INDIRECT LIGHT

## OPTICS



## WW

Wall washer for illumination of large wall surfaces. Wall washing component is based on reflectors with micro-facet technology. Reflectors ensure high uniformity of lighting distribution. Precise cut off eliminating glare in adjacent areas.



### INSERT S TLS WW | PRIMA S WW / S

**Dimensions A/B/H**  
**Luminaire luminous flux [t<sub>a</sub>= 25°]**  
**Total power**  
**Luminaire efficiency ( 4000K )**  
**Light colour temperature**  
**CRI**  
**LED service life**  
**Power supply**  
**Control gear**  
**Dynamic White or other color temperatures**

846/60/110, 1126/60/110, 1406/60/110, 2248/60/110mm  
 2081-5549lm  
 19-51W  
 108 lm/W  
 4000K  
 >80  
 50000h L80B10 / SCDM3  
 220 - 240V, 50 - 60Hz  
 ECG, DALI  
 on request

### DIRECT LIGHT

### DUAL S WW

**Dimensions A/B/H**  
**Luminaire luminous flux [t<sub>a</sub>= 25°]**  
**Total power**  
**Luminaire efficiency ( 4000K )**  
**Light colour temperature**  
**CRI**  
**LED service life**  
**Power supply**  
**Control gear**  
**Dynamic White or other color temperatures**

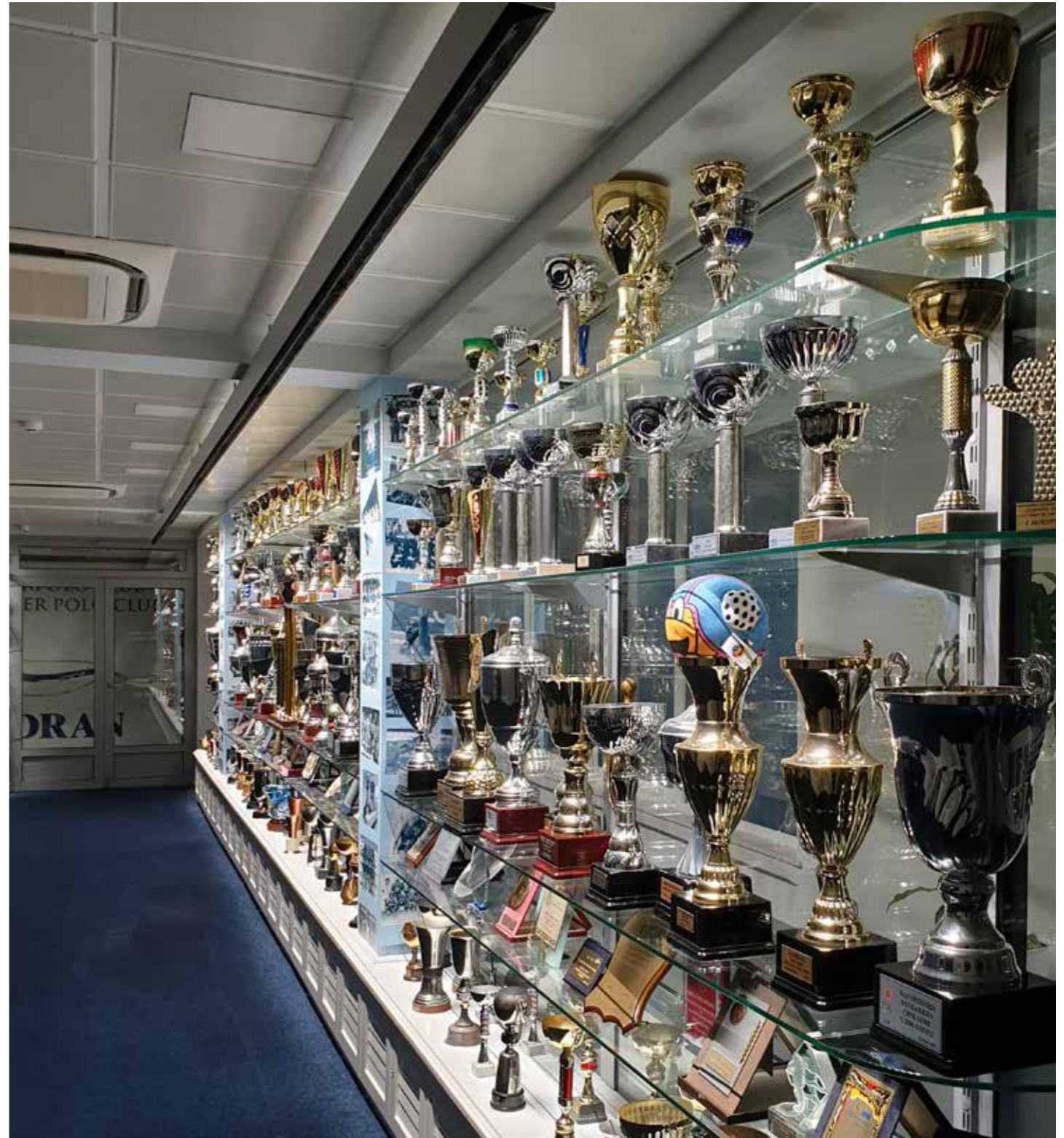
846/60/136, 1126/60/136, 1406/60/136, 2248/60/136mm  
 4918-13115lm  
 37-98W  
 134lm/W  
 4000K  
 >80  
 50000h L80B10 / SCDM3  
 220 - 240V, 50 - 60Hz  
 ECG, DALI  
 on request

### DIRECT/ INDIRECT LIGHT



System S is originally designed for benefit of end- users in terms of quality of light and visual comfort.









System S integrates various lighting management systems, integrable into building management systems, with various options such as dimming, tunable white/ human centric lighting (adjustable manually or automatically, using available software interface).